

GRAPHIC DISPLAY SYSTEMS

GDS/GCAMS



Alarm management is a critical consideration for many perimeter intruder detection systems. Geoquip's Graphic Display Systems (GDS or GCAMS) is an effective and very affordable PC based alarm management system that is designed as a pure productivity tool. The GDS and GCAMS systems are supplied as a turnkey system that is pre-built with the various hardware and software components that can manage small and large perimeters alike.

The system provides easy to use graphic illustrations of the complete perimeter that are instantly 'scaled' in an alarm situation to give a visual indication of the area of the intrusion so that the area of attack can be easily identified. In an alarm condition the security operative has full control of the alarm with easy to use accept, reset and help functions to respond to and record the event.

Higher level functions are available at a system management level where multi-level password controlled menus are available to access and analyse an alarm condition to include performance of individual zones, cause analysis and stability.

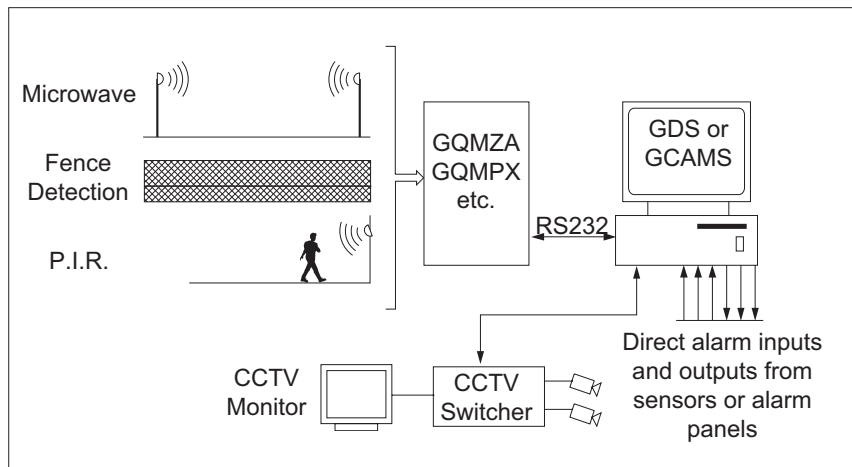
Provides various interfaces to common makes of control panels and CCTV switchers.

Software components of the system are built of three core elements:

- Run time software which monitors alarm conditions on a real time basis
- Editing software as an optional tool to modify the system to any future site change
- Drawing software which can be a wide range of existing drawing packages such as Coreldraw, PC Paintbrush

GRAPHIC DISPLAY SYSTEM GDS/GCAMS

Integrates with:



- Defensor
- Guardwire
- PSICON
- RAFID
- Multiplexer
- Sensor Coil 600
- Multizone Annunciator

TECHNICAL INFORMATION

Application	Alarm Management System for manned sites	Hardware Platform Specification	PC with a minimum specification of Pentium 150MHz, 16MB RAM, 850 MB hard disk, Windows 95 or Windows 3.1 and DOS 5.0, 15" SVGA monitor, mouse and floppy disk drive
Sales Part Number		Power Requirements	110V/240V AC, 50/60 Hz
GDS	Keyboard operated 16 bit computer software running under Windows 3.1 or MSDOS 5.0	Operating Temperature	5°C - 30°C
GCAMS	Mouse or keyboard operated 32 bit computer software running under Windows 95. Provides sound card compatibility for audio alarm annunciation	Options	
Features	Computerised graphic display of alarm location and type Subjective alarm recognition and verification Comprehensive historical alarm analysis Three graphic site maps included with each system	GDS-MAP	Additional graphic site map GDS system
Dimensions	Varies by PC style. Allow for desktop PC, 15" monitor, keyboard and mouse	GCAMS-MAP	Additional graphic site map for GCAMS system
		Installation Time	System supplied pre-configured and fully set up
		Maintenance	Requires only remedial maintenance
		Installation	By any Geoquip approved installer
		Warranty	12 months from date of installation.